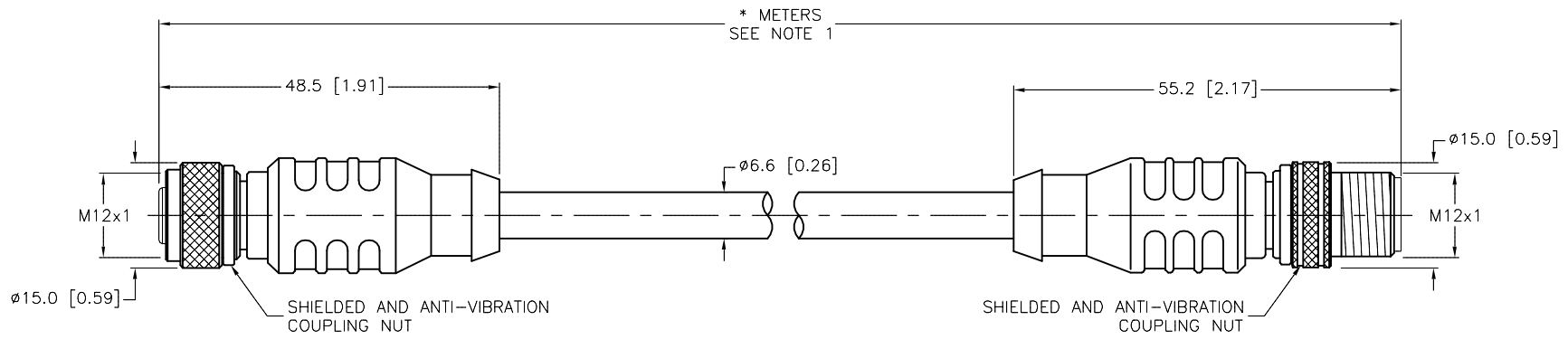


| SPECIFICATIONS                    |                                      |
|-----------------------------------|--------------------------------------|
| CONTACT CARRIER MATERIAL          | NYLON or TPU                         |
| MOLDED HEAD MATERIAL/COLOR        | TPU/YELLOW                           |
| CONTACT MATERIAL/PLATING          | BRASS/GOLD                           |
| COUPLING NUT MATERIAL/PLATING     | BRASS/NICKEL                         |
| RATED CURRENT [A]                 | 4.0 A                                |
| RATED VOLTAGE [V]                 | 250 V                                |
| OUTER CABLE JACKET MATERIAL/COLOR | PVC/GRAY                             |
| CONDUCTOR INSULATION MATERIAL     | PVC                                  |
| NUMBER OF CONDUCTORS [AWG]        | 5x22 AWG                             |
| DRAIN/SHIELD                      | 24 AWG DRAIN/FOIL AND BRAIDED SHIELD |
| TEMPERATURE RANGE                 | -40°C to +105°C (-40°F to +221°F)    |
| PROTECTION CLASS                  | MEETS IEC IP67                       |



| CABLE LENGTH                 | TOLERANCE*  |
|------------------------------|---|
| ALL LENGTHS                  | + 4% (OR 50mm) OF LENGTH<br>- 0% (OR 0mm) OF LENGTH<br>WHICHEVER IS GREATER |
| STRIP LENGTH                 | TOLERANCE*  |
| 0-7mm                        | ±0.5mm  |
| 8-29mm                       | ±1.0mm  |
| 30-49mm                      | ±2.0mm  |
| 50-69mm                      | ±3.0mm  |
| 70-100mm                     | ±4.0mm  |
| OVER 100mm                   | ±5.0mm  |
| * UNLESS OTHERWISE SPECIFIED |   |

SOURCE DRAWING - FOR REFERENCE ONLY

- NOTES:
- "\*" INDICATES CABLE LENGTH IN METERS. CONTACT TURCK TO ORDER SPECIFIC LENGTHS.
  - COUPLING NUTS ARE CONNECTED TO SHIELD.

|   |   |  |                     |                    |  |                                      |
|---|---|--|---------------------|--------------------|--|--------------------------------------|
| RELATED DOCUMENTS<br>1.<br>2.<br>3.<br>4. | 3RD ANGLE PROJECTION<br>  | THIS DRAWING IS CONFIDENTIAL AND THE PROPERTY OF TURCK INC. USE OF THIS DOCUMENT WITHOUT WRITTEN PERMISSION IS PROHIBITED. |                     |                    | 3000 CAMPUS DRIVE<br>MINNEAPOLIS, MN 55441<br>1-800-544-7769<br>(763) 553-7300<br>(763) 553-0708 fax<br>www.turck.us |                                      |
|   |   | MATERIAL<br>SEE SPECIFICATIONS   | DRFT IK<br>DSGN JEB |                    | DATE 3/31/98<br>SCALE 1=1.0  | DESCRIPTION<br>RKS 4.5T--*--RSS 4.5T |
| FINISH<br>SEE SPECIFICATIONS              | ALL DIMENSIONS DISPLAYED ON THIS DRAWING ARE FOR REFERENCE ONLY<br><br>CONTACT TURCK FOR MORE INFORMATION | UNIT OF MEASUREMENT<br><b>MILLIMETER [ INCH ]</b>  |                     | IDENTIFICATION NO. | REV<br>G   |                                      |
| G UPDATE CABLE CK 06/16/11 35087          |   | DO NOT SCALE THIS DRAWING  |                     | FILE: 777000251    | SHEET 1 OF 1   |                                      |

|     |              |    |          |         |
|-----|--------------|----|----------|---------|
| REV | DESCRIPTION  | BY | DATE     | ECO NO. |
| G   | UPDATE CABLE | CK | 06/16/11 | 35087   |